

# Solenoid Pump CSM Series Model: CSM-02048

## PRODUCT INFORMATION

**Pump Design** ..... Solenoid (Piston) Pump  
**Insulation** ..... Class "F" for TUV, Class "H" for UL  
**Net Weight** ..... 0.13 Kg  
**Outlet Connector** ..... Barb port / Thread  
**Recognition** ..... TUV , UL

## PERFORMANCE SPECIFICATIONS

### COIL MOTOR

- CSM-E02048 ..... 220~240 VAC, 50Hz , 20W
- CSM-U02048 ..... 120 VAC, 60Hz , 20W
- CSM-J02048..... 100 VAC, 50/60Hz , 20W

**Ideal fluid** ..... Water at 25°C

**Ambient temperature** ..... 60 °C

**Flow rate at 0 bar**..... 80 cc/min

**Obstructed pressure** ..... 4.8 BAR (69.6 PSI)

**Suitable to dry-use only during priming**

**Laboratory test condition**..... ED:100%, Ta:60°C,Tf:35°C  
 ED100%: work continuously  
 Ta: Ambient temperature  
 Tf: Temperature of fluid water

\* Table 1

XX – The Code of Flow Rate (FR) Table

XX	FR (cc/min)
01	60
02	80
03	150
04	200

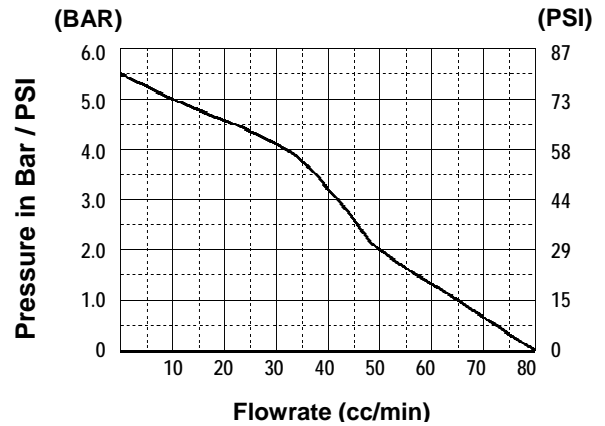
\* Table 2

YYY – The Code of Pressure(bar) table

YYY	Pressure (BAR)	YYY	Pressure (BAR)
025	2.5	045	4.5
030	3.0	048	4.8
035	3.5	060	6.0
040	4.0		

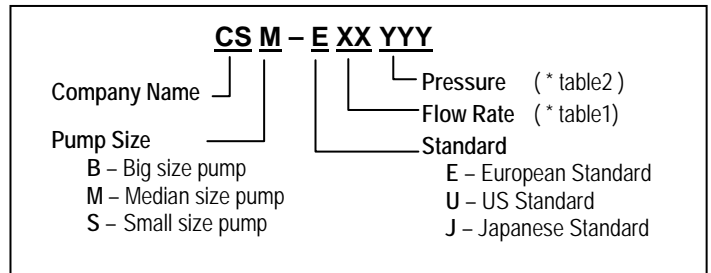
## PRESSURE – FLOW RATE CURVE

Model: CSM-02048



Note : - All the performance are intended with a tolerance  $\pm 15\%$   
 - Water 20°C, Ambient 25°C

## STANDARD MODEL NUMBERING SYSTEM

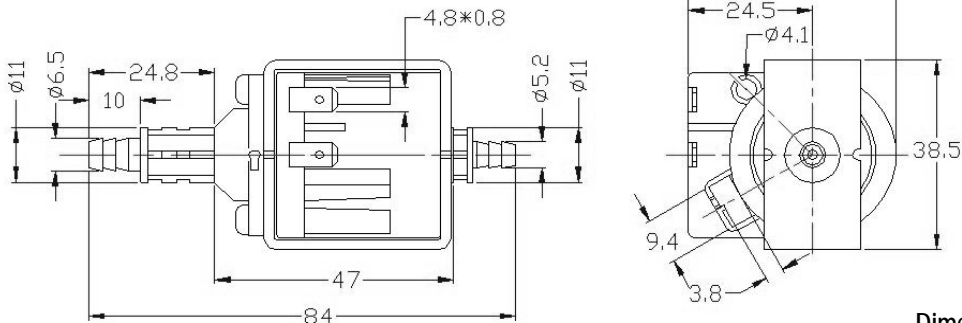


## APPLICATIONS

- Espresso coffee machine
- Steam generator
- Steam Iron
- Steam vacuum cleaner
- Disco smoke generator

## Mechanical Drawing & Dimension

Model: CSM-02048



**華星企業香港有限公司**  
**China Star Enterprise Hong Kong Ltd.**  
 中山華通五金塑料制品有限公司

地址：香港柴灣安業街八号合明工业大厦十四楼C座  
 深圳代表处：深圳市南山科技园，科智西路5号，25栋二段三楼 518057  
 Add: South - 3/F, 25# Building, 5 Kezhixi Rd. Science Park, Nanshan District, Shenzhen, PRC 51805  
 Tel: (86) 0755-2661 5378 Fax: (86) 0755-2661 5758  
 www.solenoidpump.com.cn info@solenoidpump.com.cn