

Solenoid Pump CSS Series Model: CSS-04025

PRODUCT INFORMATION

Pump Design Solenoid (Piston) Pump
Insulation Class "H" for TUV
Net Weight 0.110Kg
Outlet Connector Barb port / Thread
Recognition TUV

PERFORMANCE SPECIFICATIONS

COIL MOTOR

- CSS-E04025 220~240 VAC, 50Hz, 16W
- CSS-U04025 120 VAC, 60Hz, 16W
- CSS-J04025 100 VAC, 50/60Hz, 16W

Ideal fluid Water at 25°C

Ambient temperature 45 °C

Flow rate at 0 bar 50 cc/min

Obstructed pressure 3.0Bar (36.25PSI)

Suitable to dry-use only during priming

Laboratory test condition ED:100%, Ta:45°C, Tf:35°C
 ED100%: work continuously
 Ta: Ambient temperature
 Tf: Temperature of fluid water

* Table 1

XX - The Code of Flow Rate (FR) Table

XX	FR (cc/min)
01	50
02	100
03	150
04	200

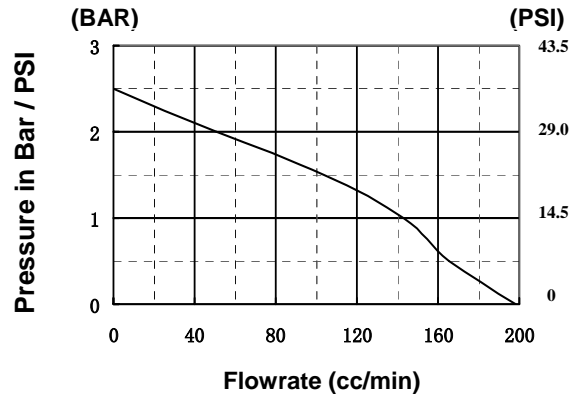
* Table 2

YYY - The Code of Pressure(bar) table

YYY	Pressure (BAR)	YYY	Pressure (BAR)
010	1.0	030	3.0
015	1.5	035	3.5
020	2.0	040	4.0
025	2.5		

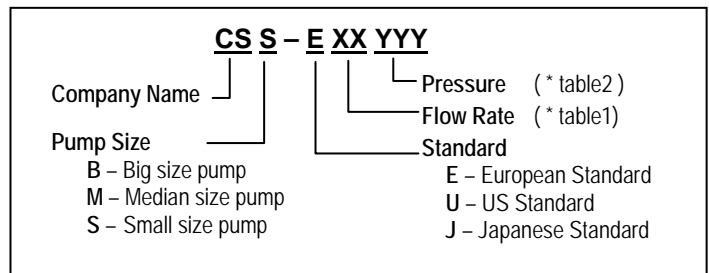
PRESSURE - FLOW RATE CURVE

Model: CSS-04025



Note : - All the performance are intended with a tolerance $\pm 15\%$
 - Water 20°C, Ambient 25°C

STANDARD MODEL NUMBERING SYSTEM

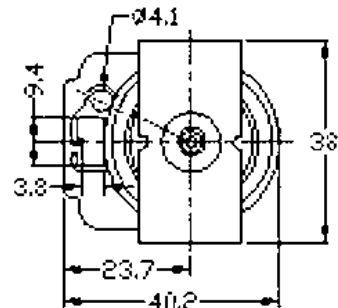
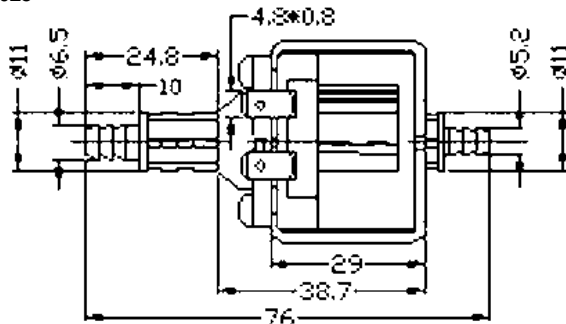


APPLICATIONS

- Espresso coffee machine
- Steam generator
- Steam Iron
- Steam vacuum cleaner
- Disco smoke generator

Mechanical Drawing & Dimension

Model: CSS-04025



Dimensions: millimeters



華星企業香港有限公司
China Star Enterprise Hong Kong Ltd.
 中山華通五金塑料制品有限公司

地址：香港柴灣安業街八号合明工业大厦十四楼C座
 深圳代表处：深圳市南山科技园，科智西路5号，25栋二段三楼 518057
 Add: South - 3/F, 25# Building, 5 Kezhixi Rd. Science Park, Nanshan District, Shenzhen, PRC 51805
 Tel: (86) 0755-2661 5378 Fax: (86) 0755-2661 5758
 www.solenoidpump.com.cn info@solenoidpump.com.cn