

# Solenoid Pump CSB Series

Model: CSB-E20035

## PRODUCT INFORMATION

**Pump Design** .....Solenoid (piston) Pump  
**Insulation** .....Class "F" for TUV, Class "B " for UL  
**Net weight** .....0.35Kg  
**Outlet Connector** .....G 1/8"  
**Recognition**.....TUV , UL

## PERFORMANCE SPECIFICATIONS

### COIL MOTOR

- CSB-E20035 ..... 220-240 VAC, 50Hz , 48W
- CSB-U20035 ..... 120 VAC, 60Hz , 48W
- CSB-J20035 ..... 100VAC, 50/60Hz ,48W

**Ideal fluid** ..... Water at 25°C

**Ambient temperature** ..... 60 °C

**Flow rate at 0 bar** ..... 1000 cc/min

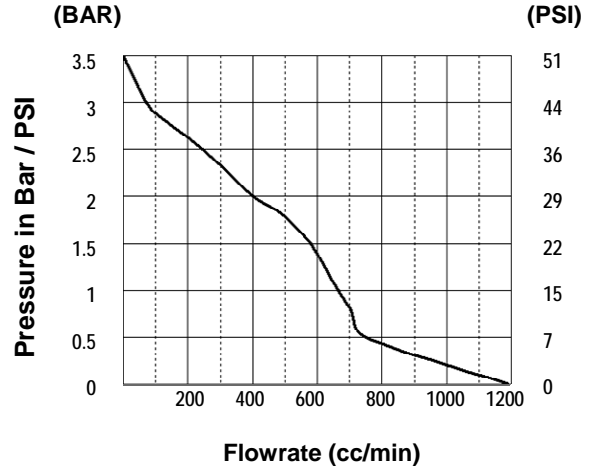
**Obstructed pressure** .....3.5 bar

**Suitable to dry-use only during priming**

**Laboratory test condition**.....Ta:60°C, Tf:35°C

## PRESSURE – FLOW RATE CURVE

Model: CSB-E20035



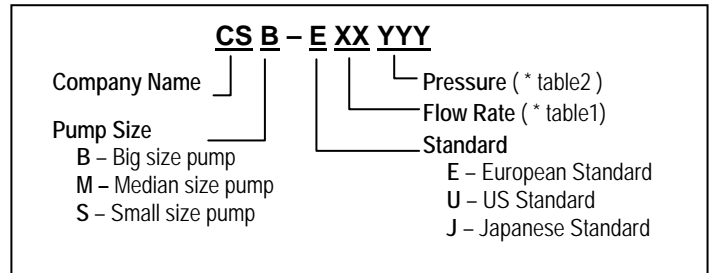
Note : - All the performance are intended with a tolerance  $\pm 15\%$   
 - Water 20°C, Ambient 25°C

## XX – THE CODE OF FLOW RATE (FR) TABLE

XX	FR (ml/min)	XX	FR (ml/min)	XX	FR (ml/min)
08	400	16	800	24	1200
09	450	17	850	25	1250
10	500	18	900	26	1300
11	550	19	950	27	1350
12	600	20	1000	28	1400
13	650	21	1050	29	1450
14	700	22	1100	30	1500
15	750	23	1150		

Table 1

## STANDARD MODEL NUMBERING SYSTEM



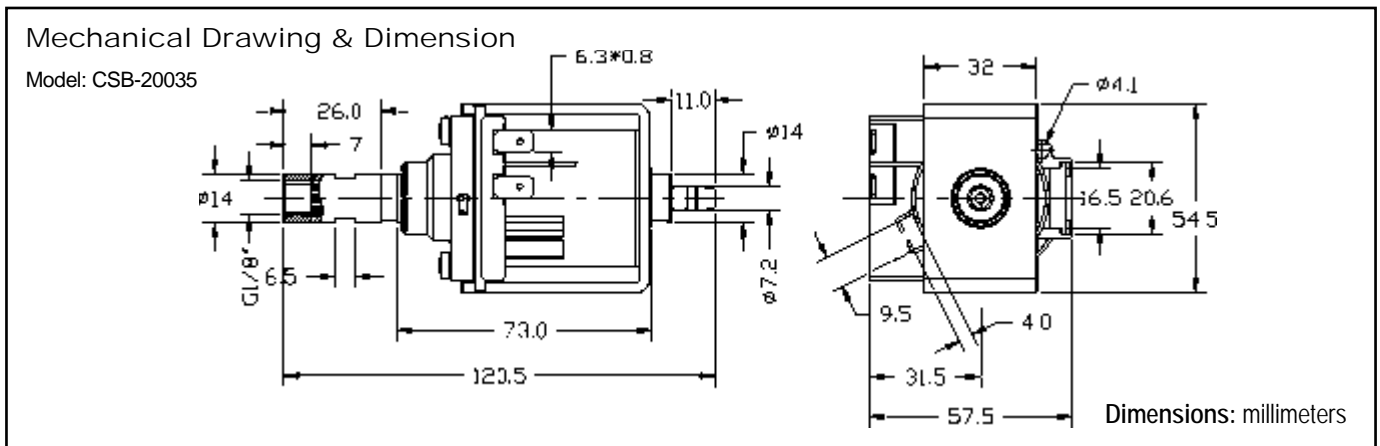
## YYY – THE CODE OF PRESSURE TABLE

YYY	PRESSURE (bar)	YYY	PRESSURE (bar)	YYY	PRESSURE (bar)
020	2.0	040	4.0	150	15.0
025	2.5	045	4.5	200	20.0
030	3.0	048	4.8		
035	3.5	060	6.0		

Table 2

## APPLICATIONS

- Espresso coffee machine
- Steam generator
- Steam Iron
- Steam vacuum cleaner
- Disco smoke generator



華星企業香港有限公司  
 China Star Enterprise Hong Kong Ltd.  
 中山華通五金塑料制品有限公司

地址：香港柴灣安業街八号合明工业大厦十四楼 C 座  
 深圳代表处：深圳市南山科技园科智西路 5 号 25 栋东二段南三层 518057  
 Add: South 3/F, Block 25, 5 Kezhixi Rd. Science Park, Nanshan District, Shenzhen, PRC 518057  
 Tel: (86) 0755-2661 5378 Fax: (86) 0755-2661 5758  
 info@solenoidpump.com.cn www.solenoidpump.com.cn